

# MODEL PE71-II VHV

Non Self-Priming Dual Voltage  
Variable Speed Pool Pump

AQUATECHNIX®

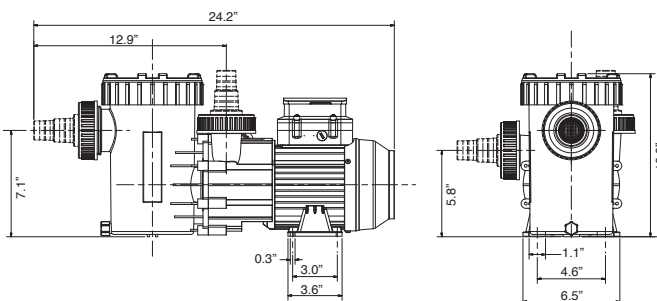
## Features

- This high performance, medium head pump comes complete with an industry standard Carbon/Ceramic 5/8" mechanical seal for convenient replacement.
- Non-corrosive, chemical/UV resistant, and can withstand temperatures of up to 150°F.
- **ALL NEW:** Horizontal/Vertical discharge in one casing.
- Suction and discharge ports are equipped with hose adaptors. (Also available in 1.5" NPT/2" Slip quick disconnect unions)
- For pool users' safety, the impeller has a dielectric shaft sleeve that provides absolute separation between pool water and electric parts.
- Specially constructed clear lid with ring lock design is easy to open. Large strainer basket is always locked in place.
- Reusable o-rings throughout.
- The pump comes with a limited 24 month warranty.
- Every pump is performance tested before leaving the factory.

## Features Specific to the 1.1 THP Dual Voltage Motor

- Pump is equipped with a 1.1 THP (48 frame thru-bolt mount) Variable Speed Motor.
- Motor runs on a wide voltage range 100-130/200-250V. Automatically detects 115 or 230V.
- Built-In Controller, LED Screen & Keypad can be locked for safety.
- 3 Adjustable Power Levels - Levels can be set to range from 50 Watts/1000 RPM to 1000 Watts/3500 RPM (in increments of 10 Watts).
- Programmable high efficiency TEFC (totally enclosed fan cooled) maintenance free permanent magnet brushless 48 frame motor.
- Pump has a standard 3 ft. 3/12 AWG cord set pre-mounted. A variety of other cord sets are available.

## Dimensional Drawing



## Technical Data

Order #	Model #	THP	Volts	Motor/Frame	Cord Set	Speed	List Price
AX195-V100T-OST	PE71-II VHV	1.1	115-230	TEFC/48	3' standard	variable	\$ 870.00
AX195-V100T-OTL	PE71-II VHV	1.1	115-230	TEFC/48	3' twist-lock	variable	870.00



Model PE71-II VHV



(top view)



(side view)

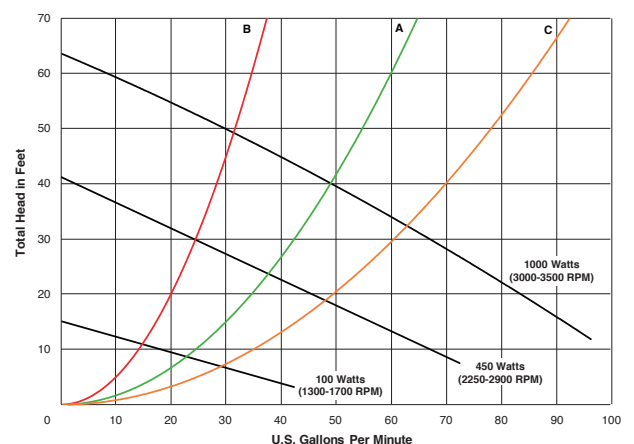
## Trademarks & Certifications



## Applications

- Perfect for above-ground & on-ground pools

## Performance Curves



B, A, and C represent average system curves for pools with the pipe diameter mentioned below.

B = 1.5" pipe      A = 2.0" pipe      C = 2.5" pipe