

Cartridge Filters

Features

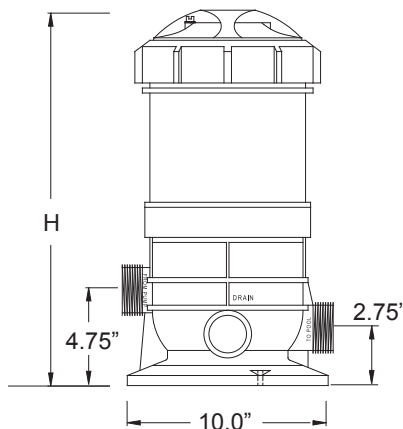
- Our tank construction provides dependable corrosion-free performance.
- A lock ring lid closer to make access to the cartridge for cleaning a snap.
- Cartridge with 100% polyester media provides long cleaning cycles and results in long cartridge life.
- Built-in air relief valve and pressure gauge.
- Equipped with 1.5" quick disconnect unions and large 1.5" drain plug for easy debris removal.
- The Aqua TechniX equipment base keeps the pump and filter elevated, away from harm.
- All pump/filter systems are equipped with pump-to-filter plumbing package with quick disconnect unions.
- One (1) year warranty on all parts. Three (3) year warranty on the tank.

Applications

- Perfect for residential in-ground, on-ground pools and a upgrade for above-ground pools.



Technical Data



FILTER AREA	sq. ft.	30	60	90	120	150	180
DIMENSIONS	H	18.0"	22.5"	28.0"	33.75"	40.75"	45.0"
MAXIMUM RECOMMENDED FLOW RATE*	GPM	30	60	90	120	150	180
MAXIMUM POOL CAPACITY (Based on 8 hour turnover)	Gallons	14,000	28,000	43,000	57,000	72,000	86,000
PORT SIZE		1.5"	1.5"	1.5"	1.5"	1.5"	1.5"
MAXIMUM OPERATION PRESSURE: 50 PSI							
MAXIMUM OPERATION TEMPERATURE: 130°F							
SHIPPING WEIGHT	lbs.	15	17	18	19	22	25

*Rated flow based on a maximum of 1 GPM per sq. ft. of filter area.