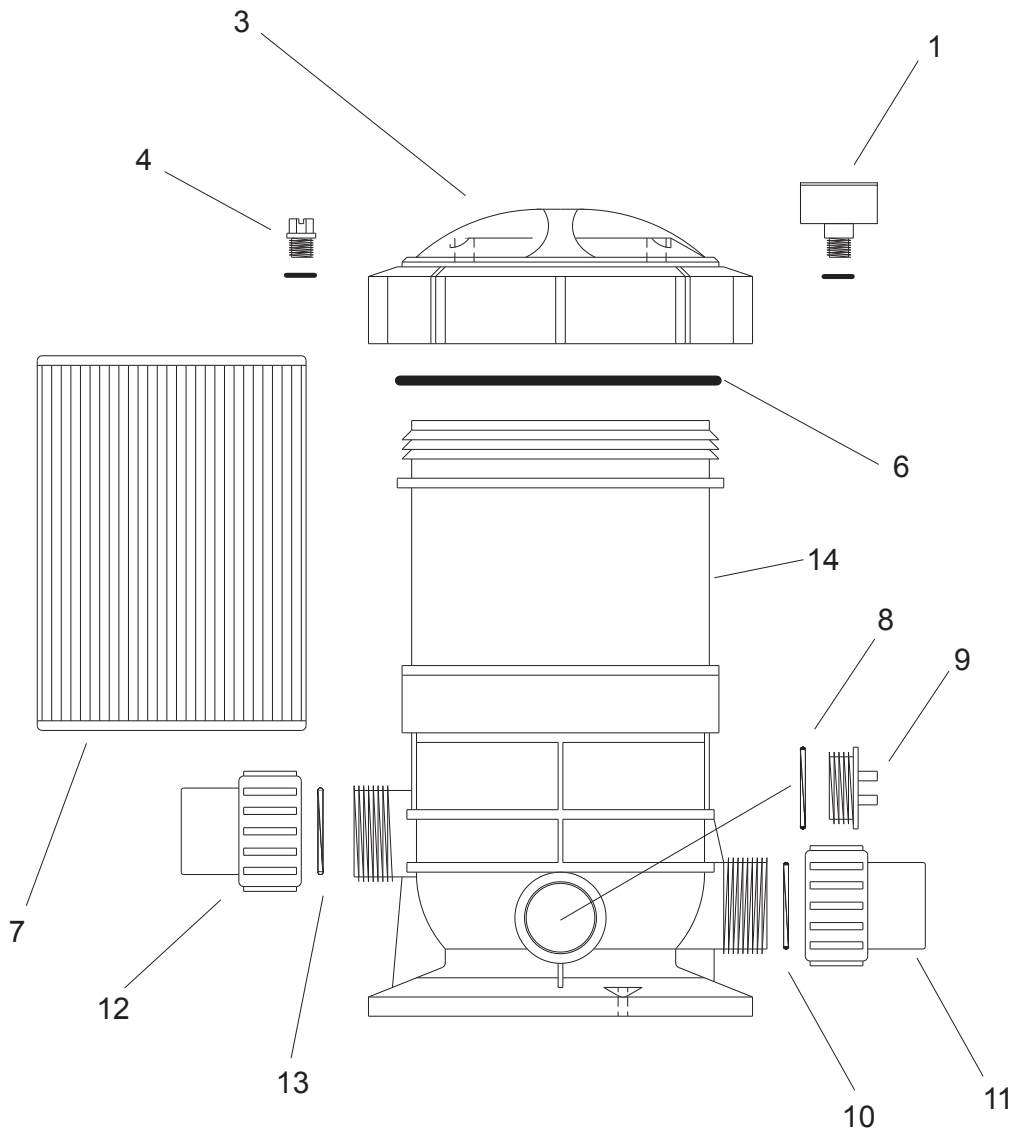


# CARTRIDGE FILTER

Filter - 30, 60, 90, 120, 150 & 180 SQ. FT.

AQUATECHNIX®



# CARTRIDGE FILTER



Filter - 30, 60, 90, 120, 150 & 180 SQ. FT.

Order #	Drawing Number	Qty Required	Description	List Price
7200039349	1	1	PRESSURE GAUGE	\$ 11.80
7200055000	3 & 4	1	LID ASSEMBLY - COMPLETE	66.40
7200009601	4	1	SCREW - AIR BLEED W/ GASKET	3.50
7200055003	6	1	O-RING - LID	9.80
7200080853	NOT SHOWN	1	LOCKING RING LATCH - LID (FOR 60/90/120/150/180)	7.10
7300000305	7	1	CARTRIDGE - REPLACEMENT (FOR 30 SQ FT)	93.30
7300000605	7.1	1	CARTRIDGE - REPLACEMENT (FOR 60 SQ FT)	86.40
7300000905	7.2	1	CARTRIDGE - REPLACEMENT (FOR 90 SQ FT)	116.30
7300001205	7.3	1	CARTRIDGE - REPLACEMENT (FOR 120 SQ FT)	160.50
7300001505	7.4	1	CARTRIDGE - REPLACEMENT (FOR 150 SQ FT)	201.70
7300001805	7.5	1	CARTRIDGE - REPLACEMENT (FOR 180 SQ FT)	252.10
7300055006	8	1	O-RING - DRAIN PLUG	1.10
7300055005	9	1	DRAIN PLUG	2.20
7200055010	(10-13)	2	UNION END (1.5") SLIP W/NUT & O-RING	8.40
7200000030	14	1	FILTER BODY (FOR 30 SQ FT)	248.00
7200000060	14.1	1	FILTER BODY (FOR 60 SQ FT)	298.30
7200000090	14.2	1	FILTER BODY (FOR 90 SQ FT)	342.80
7200000120	14.3	1	FILTER BODY (FOR 120 SQ FT)	393.90
7200000150	14.4	1	FILTER BODY (FOR 150 SQ FT)	441.40
7200000180	14.5	1	FILTER BODY (FOR 180 SQ FT)	499.30